

HARDWOOD LIMITED WARRANTY

Epoch Design LLC warrants this hardwood futon frame product and all parts thereof, except as set forth below ONLY TO THE ORIGINAL PURCHASER AT RETAIL to be FREE FROM DEFECTIVE MATERIALS AND WORKMANSHIP from the date of original retail purchase for the period as shown below. ("The Warranty Period")

Parts 1 year	Labor 1 year
--------------	--------------

THIS LIMITED WARRANTY IS VALID ONLY IN THE (50) UNITED STATES, THE DISTRICT OF COLUMBIA AND IN THE COMMONWEALTH OF PUERTO RICO.

WHAT WE WILL DO:

If this product is found to be defective, Epoch Design LLC will repair or replace defective parts at no charge to the original owner. Such repair and replacement services shall be rendered by Epoch Design LLC during normal business hours at Epoch Design LLC authorized service centers. Parts used for replacement are warranted only for the remainder of the "Warranty Period". All products and parts thereof may be brought to a Epoch Design LLC authorized service center on a carry-in basis.

WHAT YOU MUST DO FOR WARRANTY SERVICE:

Return your product to a Epoch Design LLC service center with a copy of your bill of sale. For your nearest Epoch Design LLC authorized service center, please fax (425) 424-8751

If service is not available locally, box the product carefully, preferable in the original carton and ship, insured with a copy of your bill of sale plus a letter of explanation of the problem to the nearest Epoch Design LLC service center.

If you have any questions concerning your Epoch Design LLC product please contact our Customer Relations Dept. (425) 424-3790

WHAT IS NOT COVERED:

This extended warranty provided by Epoch Design LLC does not cover:

1. Products which have been subject to abuse, accident, alteration, modification, tampering, negligence, misuse, faulty installation, lack of reasonable care, or if repaired or serviced by anyone other than a service facility authorized by Epoch Design LLC to render such service, or if affixed to any attachment not provided with the products, or if the model or serial number has been altered, tampered with, defaced or removed.
2. Initial installation and installation and removal for repair
3. Damage that occurs in shipment, due to the act of God, and cosmetic damage
4. Natural checking and cracking which is not structural and is typical of solid hardwood furniture
5. Accessories

There are no express warranties except as listed above

THE DURATION OF ANY IMPLIED WARRANTIES, INCLUDING THE IMPLIED WARRANTY OF MERCHANTABILITY, IS LIMITED TO THE DURATION OF THE EXPRESS WARRANTY HEREIN

EPOCH DESIGN LLC SHALL NOT BE LIABLE FOR LOSS OF USE OF THE PRODUCT, INCONVENIENCE, LOSS OR ANY OTHER DAMAGES, WHETHER DIRECT, INCIDENTAL OR CONSEQUENTIAL RESULTING FROM THE USE OF THIS PRODUCT, OR ARISING OUT OF ANY BREACH OF THIS WARRANTY. ALL EXPRESS AND IMPLIED WARRANTIES, INCLUDING THE WARRANTY PERIOD SET FORTH ABOVE

Some states do not allow the exclusion of incidental or consequential damages or limitations on how long and implied warranty lasts, so these limitations or exclusions may not apply to you. This warranty gives you specific legal rights and you may have other rights which may vary from state to state

PARTS LIST

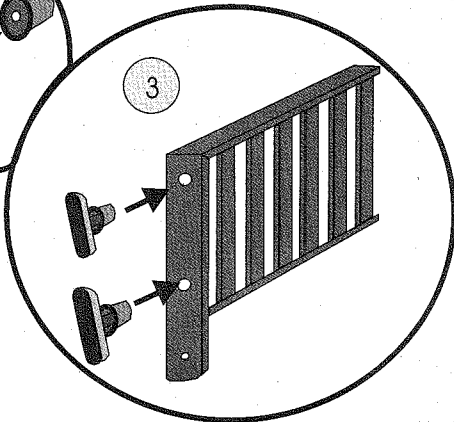
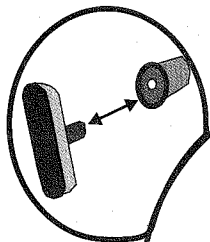
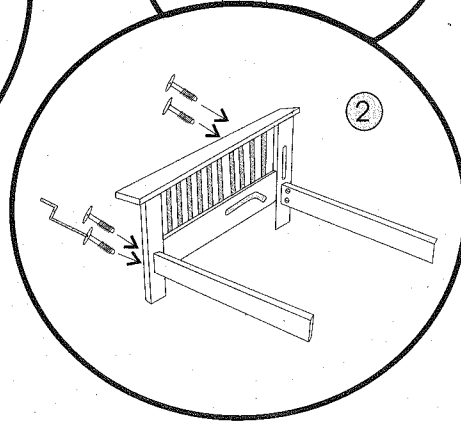
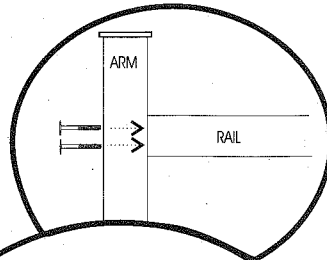
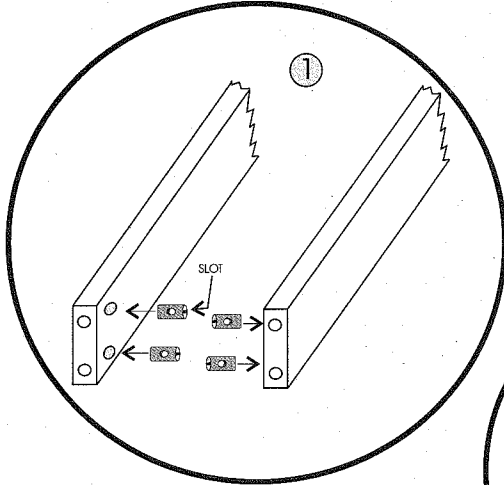
QUANTITY

	TOP	SIDE	
A: BARREL NUTS			8
B: SEAT CONNECTORS			2 PAIR
C: FRAME BOLTS			8
D: GLYDERS			4 PAIR
E: ARMS			2
F: FRAME RAILS			2
G: BACK CHASSIS SECTION			1
H: SEAT CHASSIS SECTION			1
I: ALLEN WRENCH			1

ASSEMBLY INSTRUCTIONS

CONGRATULATIONS ON THE PURCHASE OF YOUR SOLID HARDWOOD FUTON. THIS BED HAS BEEN CRAFTED TO THE HIGHEST STANDARDS OF QUALITY AND SAFETY AND WILL GIVE YOU MANY YEARS OF ENJOYMENT AND PRACTICAL USE.

- 1:** LOCATE THE 2 FRAME RAILS & INSERT 4 BARREL NUTS INTO THE HOLES IN EACH FRAME RAIL WITH THE SLOT FACING OUT, AND THE BARREL NUT THREADS LINED UP WITH THE HOLES IN THE END OF THE RAILS.
- 2:** ATTACH BOTH ARMS TO THE FRAME RAILS BY INSERTING THE FRAME BOLTS THROUGH THE ARMS INTO THE BARREL NUTS IN THE FRAME RAILS. NOW THREAD IN THE BOLTS WITH THE ALLEN WRENCH. LEAVE ABOUT 1/4" OF THE BOLT SHOWING ON THE OUTSIDE OF THE ARM.
- 3:** PUT THE GLYDER PAIRS TOGETHER AND GENTLY PUSH THEM INTO THE HOLES IN THE BACK CHASSIS SECTION FACING OUTWARD.



ASSEMBLY INSTRUCTIONS

- 4:** INSERT THE BACK SECTION WITH THE GLYDERS ALREADY ATTACHED, INTO THE GROOVES IN THE ARMS (YOU WILL NOT BE ABLE TO DO THIS IF THE FRAME BOLTS ARE COMPLETELY TIGHTENED, THEY MUST BE LOOSE!)
- 5:** TIGHTEN ALL BOLTS THAT ARE ALREADY IN USE.
- 6:** SLIDE THE SEAT SECTION INTO THE BACK SECTION AND PLACE ONE OF THE SEAT CONNECTOR BOLTS THROUGH THE BACK SECTION INTO THE SEAT SECTION AND TIGHTEN INTO THE FEMALE HALF OF THE SEAT CONNECTOR WITH THE ALLEN WRENCH
NOTE: YOU MAY NEED TO TAP THE FEMALE HALF OF THE SEAT CONNECTOR BOLTS INTO THE SEAT SECTION WITH A HAMMER
- 7:** THANK YOU AND ENJOY

