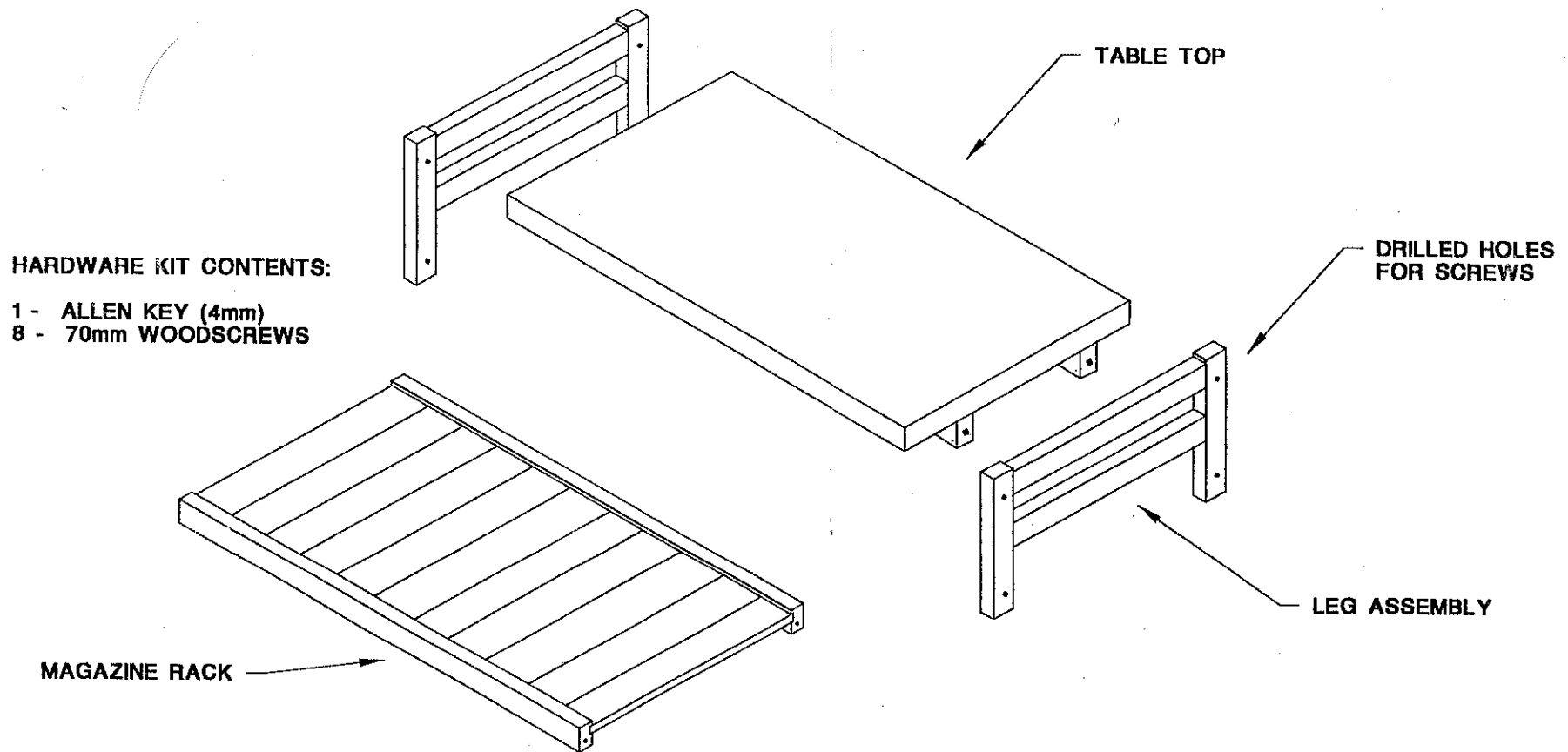


JASPER TABLE ASSEMBLY INSTRUCTIONS



INSTRUCTIONS

- 1) FASTEN LEGS TO TABLE TOP USING THE 70mm SCREWS PROVIDED (DO NOT OVER TIGHTEN)
- 2) SLIDE THE MAGAZINE RACK UNDER (NAILS FACING DOWNWARD) THEN FASTEN TO LEGS
- 3) RETIGHTEN ALL SCREWS SECURELY