

# Media cart instruction sheet

1

Locate panels **A**, **C** and **D** and the 10 camlock connector pins. Insert one pin in each threaded insert with a flat head or philips head screwdriver. (see diagram I)

3

Locate panel **C** and join with camlocks as described in previous step. **Be sure the finished edges are on the same side.**

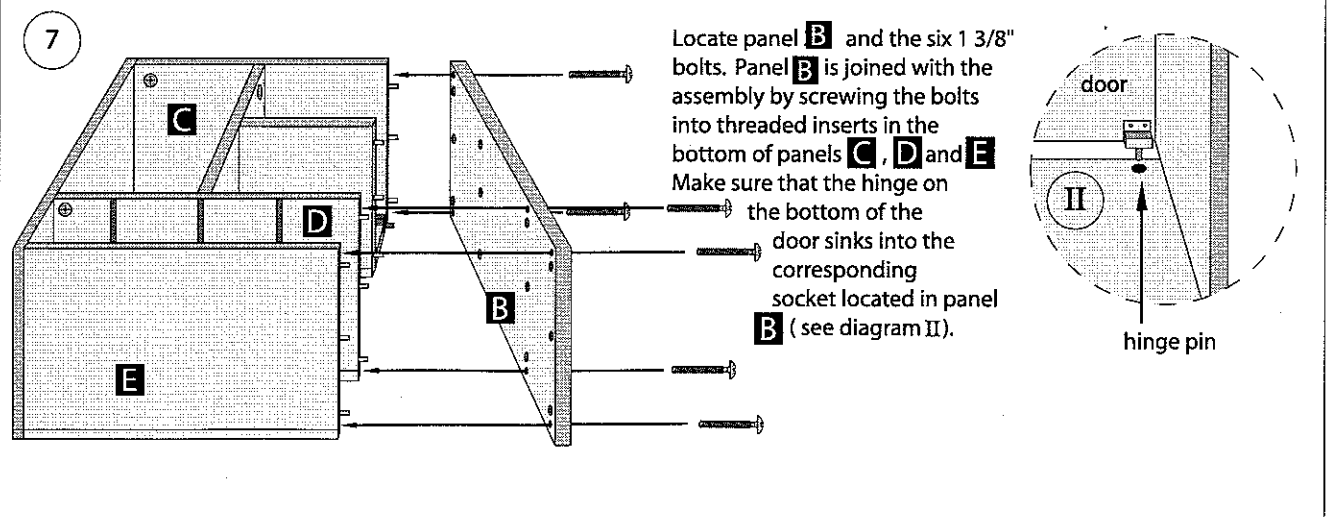
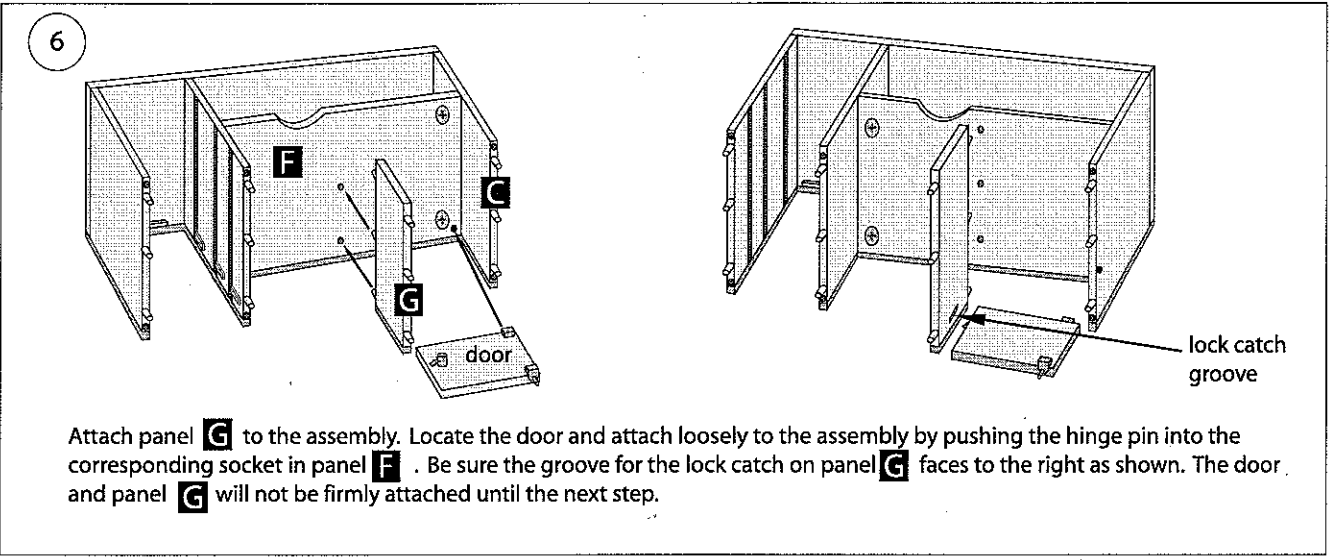
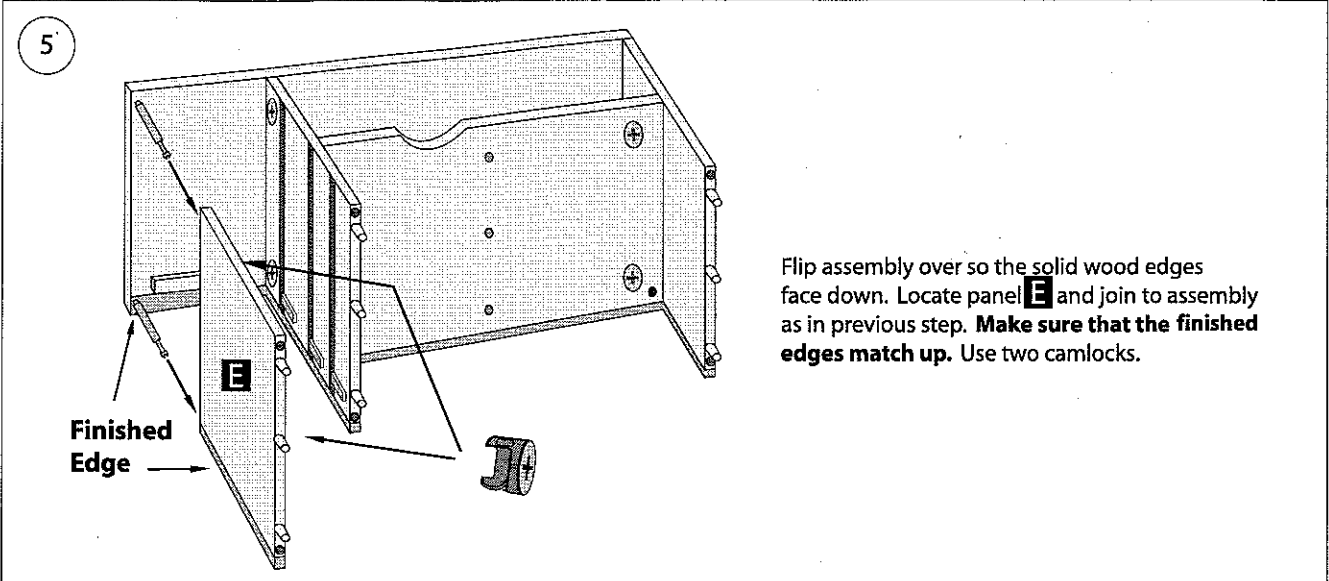
2

Place panel **D** on a soft surface and locate panel **F**. **Position and attach each panel so the finished edges match up.** Insert the camlock connector pins into the corresponding holes in panel **F**. Secure panels by inserting one camlock into each of the two corresponding holes on panel **F**. Turn each camlock about a 1/4 turn or until gap between panels is gone. It is recommended that you use a flathead screwdriver. **Do not over-tighten.** It will damage the materials.

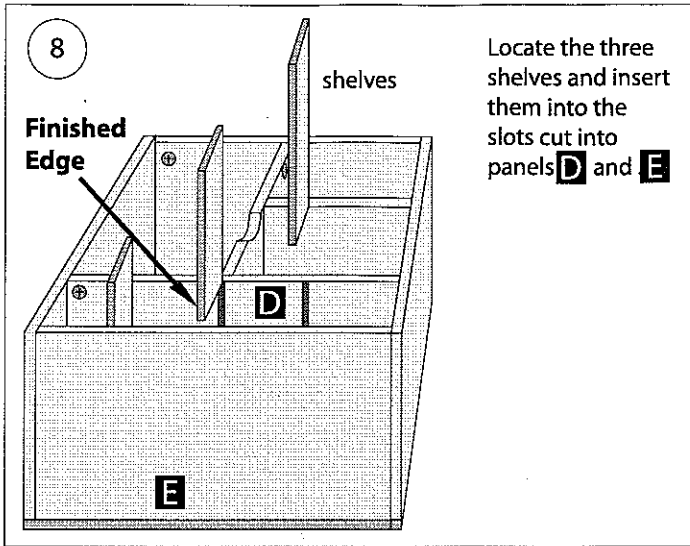
4

Locate panel **A** and join to the assembly in the same way as in the previous step. Use four camlocks

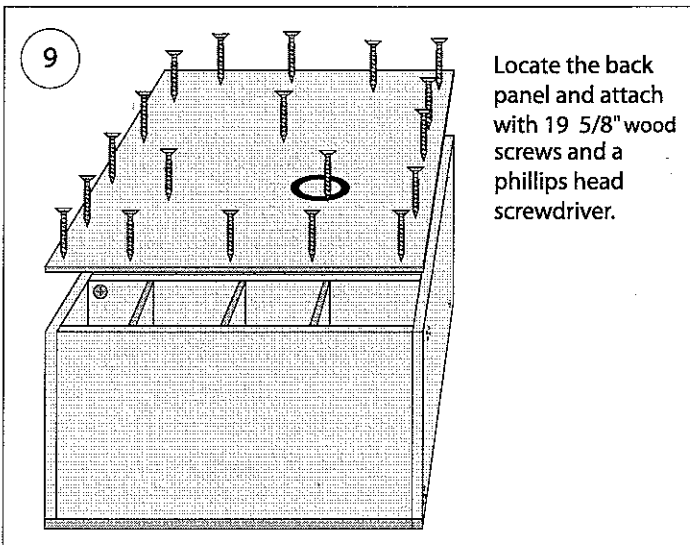
Have a question?? need a part ASAP?? call 1-800-589-7990 9AM - 5PM PST



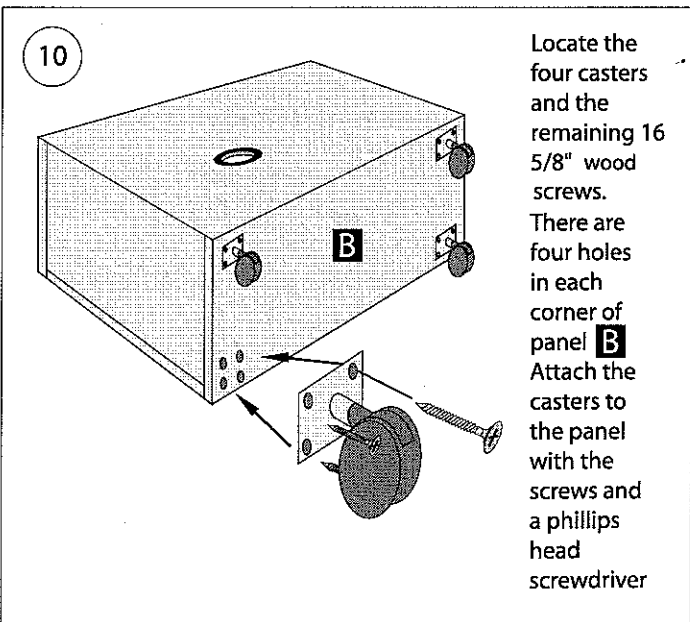
Have a question?? need a part ASAP?? call 1-800-589-7990 9AM - 5PM PST



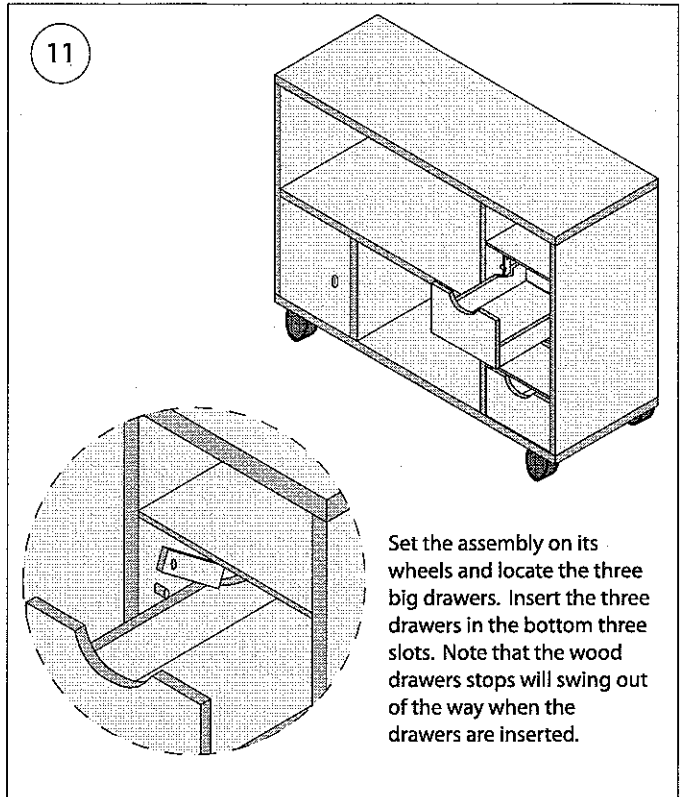
Locate the three shelves and insert them into the slots cut into panels **D** and **E**



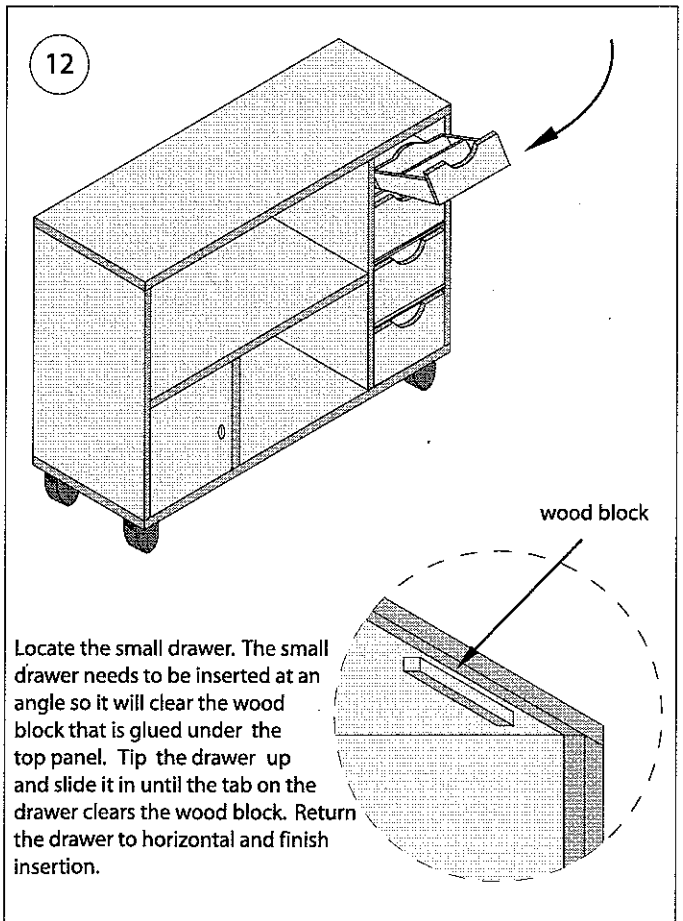
Locate the back panel and attach with 19 5/8" wood screws and a phillips head screwdriver.



Locate the four casters and the remaining 16 5/8" wood screws. There are four holes in each corner of panel **B**. Attach the casters to the panel with the screws and a phillips head screwdriver

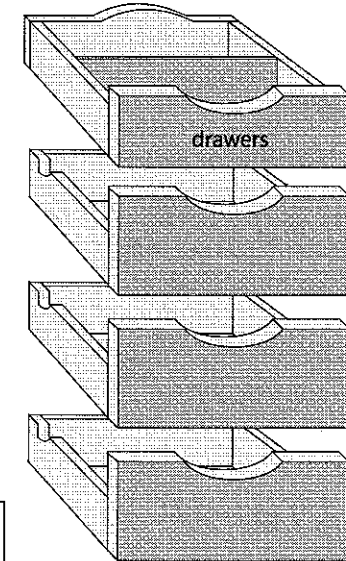
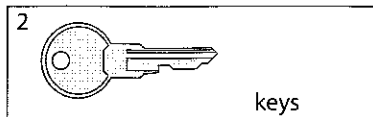
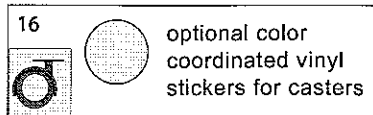
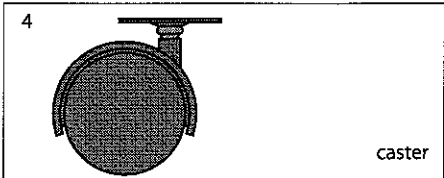
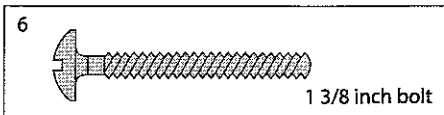
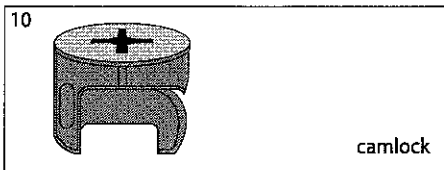
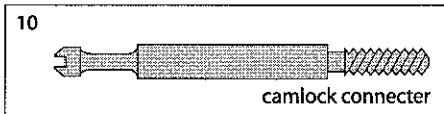
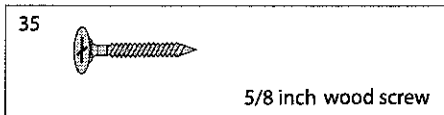
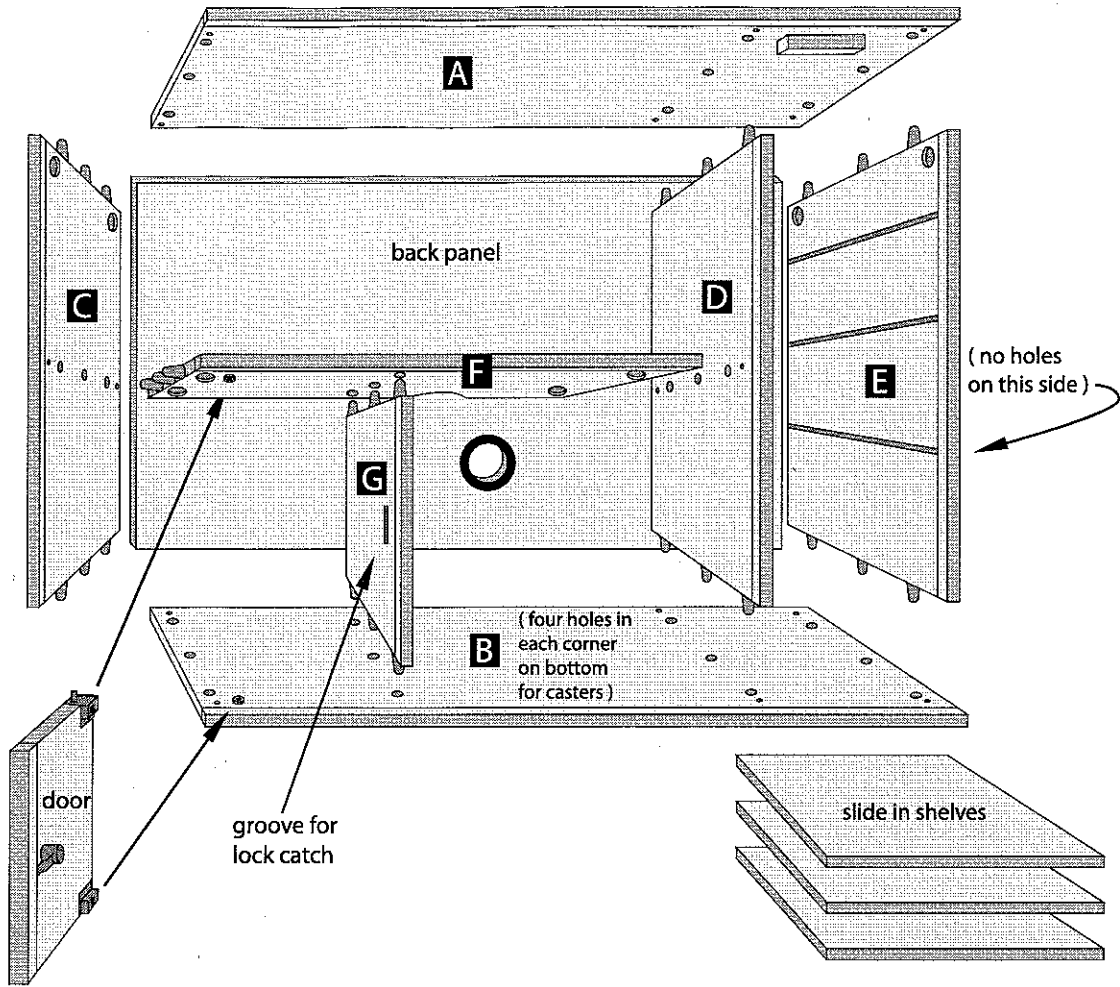


Set the assembly on its wheels and locate the three big drawers. Insert the three drawers in the bottom three slots. Note that the wood drawers stops will swing out of the way when the drawers are inserted.



Locate the small drawer. The small drawer needs to be inserted at an angle so it will clear the wood block that is glued under the top panel. Tip the drawer up and slide it in until the tab on the drawer clears the wood block. Return the drawer to horizontal and finish insertion.

# Media cart parts list



Have a question?? need a part ASAP??  
call 1-800-589-7990 9AM - 5PM PST