

# Epoch Design, LLC

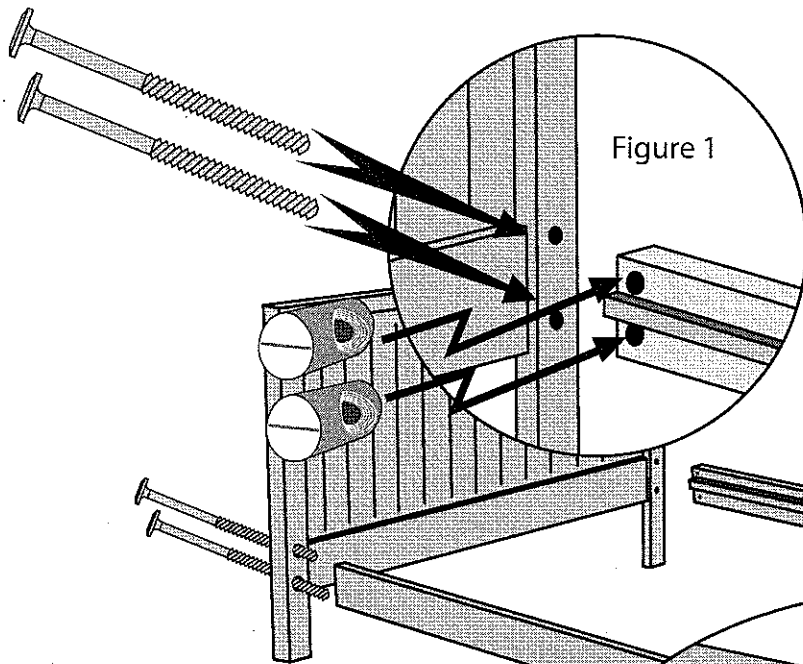
## **Niko Bamboo Platform Bed**

Congratulations on the purchase of your Epoch Design Niko Platform Bed. This bed has been crafted to the highest standards of quality and safety and will give you many years of enjoyment and practical use.

On this insert you will find a list of the hardware and platform bed parts necessary for assembly, as well as detailed instructions. Assembly is quite simple and requires only a flat head screwdriver and a Phillips head screwdriver. The use of a power drill with a Phillips head attachment is helpful but not necessary. Assembly will be most easily accomplished if you take the time to carefully sort the hardware and familiarize yourself with the function of each piece.

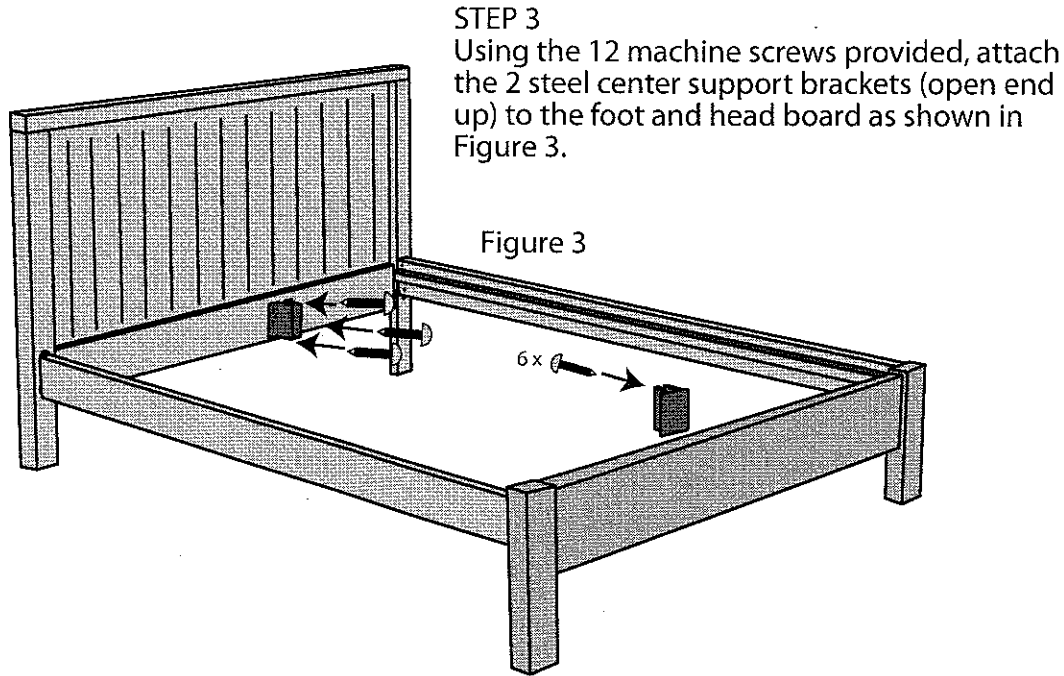
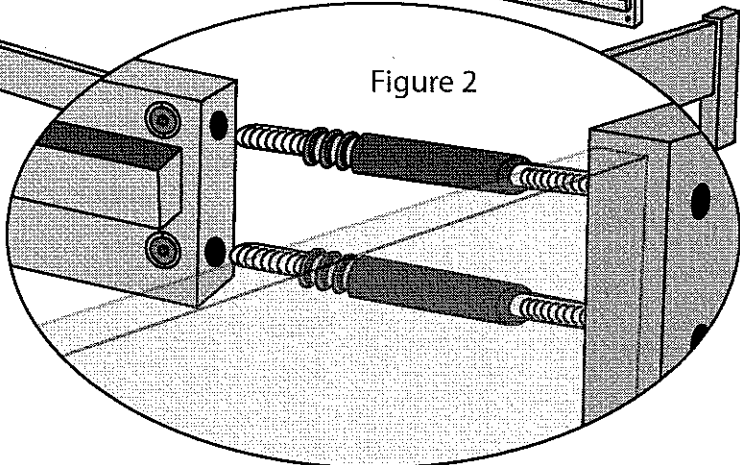
If you should require assistance with assembly, part replacement or any other matter, contact the toll-free Epoch Design Service Center from anywhere in the Continental United States, Monday through Friday, 9AM-5PM Pacific Standard Time at (800) 589-7990. You may also fax your request or comments to (425) 284-0885 and/or email to [info@epochbydesign.com](mailto:info@epochbydesign.com) and a service representative will respond.

**Thank you and Enjoy**



**STEP 1**  
 Using 4 x 110mm bolts and 4 x barrel nuts attach the bed rails to the headboard as shown in Figure 1. Note: Do one rail at a time and only hand tighten the bolts.

**STEP 2**  
 Insert the steel dowels into the footboard by hand. Once each one is snug, back it out 1/2 -1 full turn. Now insert the gear cams into the large holes on the bed rail one side at a time making sure the hex key fitting is exposed and the hole through the center is aligned length-wise along the bed rail with the larger hole (male side) closest to the end of the rail. This will allow the steel dowel to penetrate the gear cam (as shown in Figure 2). Tighten the gear cams until the footboard is flush with the bed rails. Now tighten the 110mm bolts on the headboard.

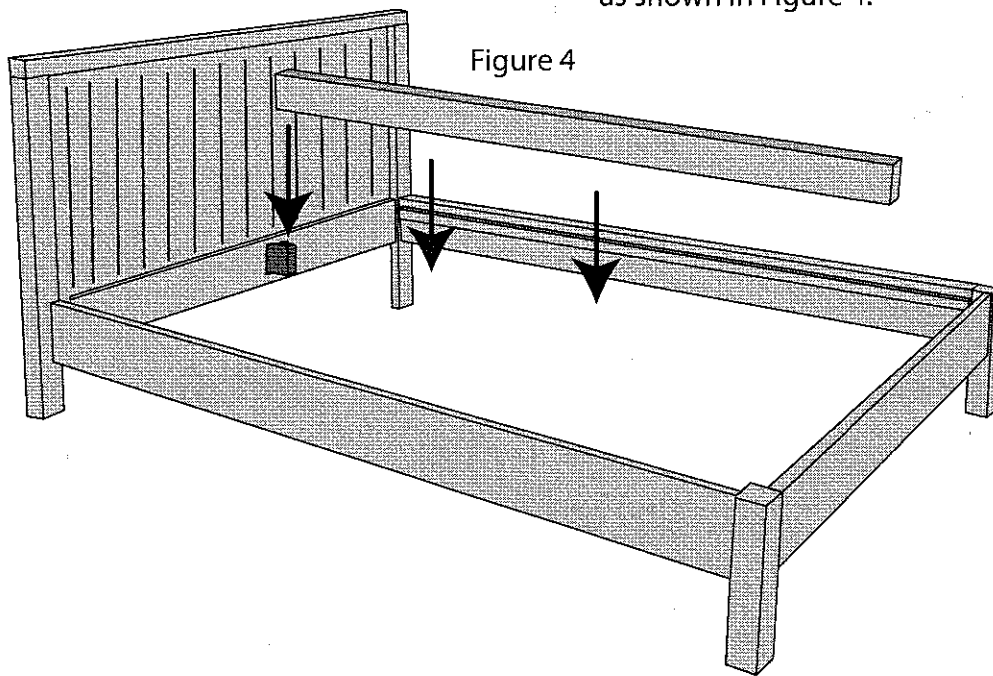


**STEP 3**  
 Using the 12 machine screws provided, attach the 2 steel center support brackets (open end up) to the foot and head board as shown in Figure 3.

Figure 3

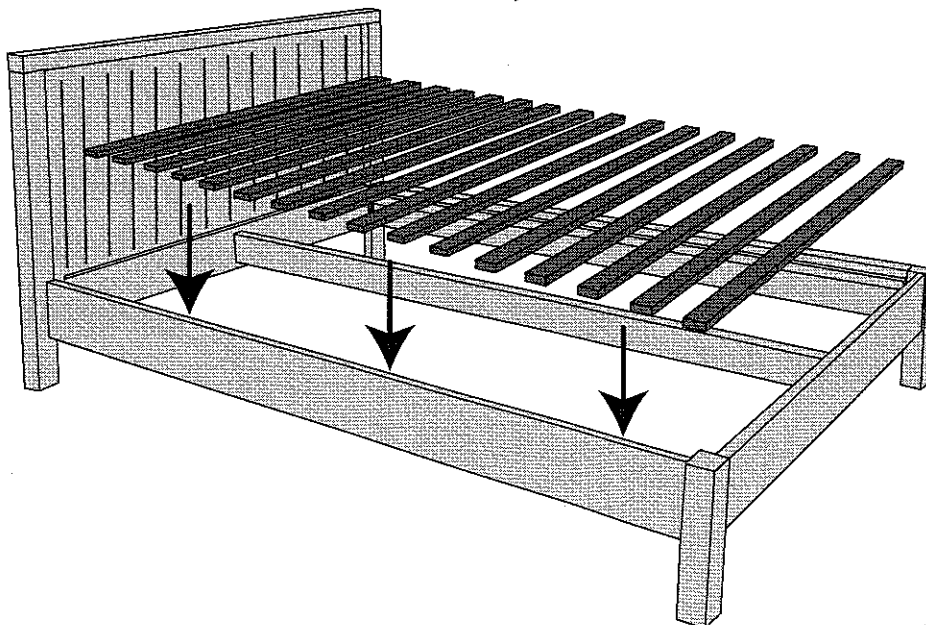
#### STEP 4

Insert the center support rail into these brackets as shown in Figure 4.

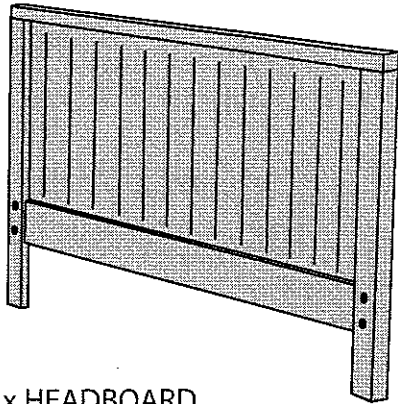


#### STEP 5

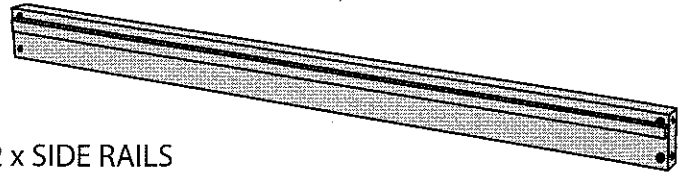
Lay out the slats evenly on bed cloth side down. Screw the slat closest to the headboard first against the two outside rails. Secondly screw the slat closest to the footboard to the two outside rails. Then do the rest in any order. Note: There are holes as well as screws provided to attach the slats to the center support. Since the center support is made out of Bamboo, and is very strong and brittle, it is not necessary nor do we advise you to do this.



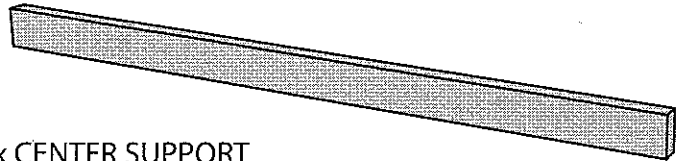
# Niko Bamboo Platform Bed Hardware & Parts List



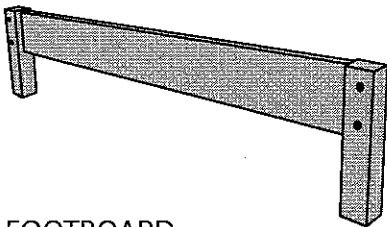
1 x HEADBOARD



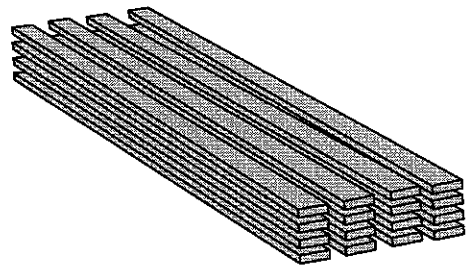
2 x SIDE RAILS



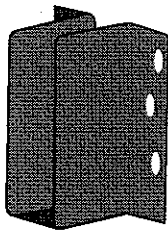
1 x CENTER SUPPORT



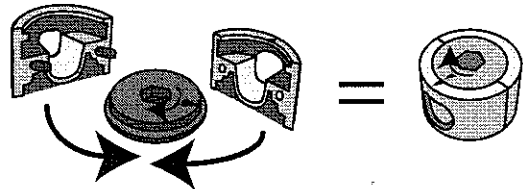
1 x FOOTBOARD



16 x SLATS



2 x CENTER SUPPORT BRACKETS



4 x GEAR CAMS



4 x 110mm BOLTS



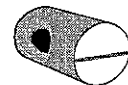
4 x STEEL DOWELS



12 x MACHINE SCREWS



32 x WOOD SCREWS



4 x BARREL NUTS

Have a question? Need a part ASAP? Please call 1-800-589-7990 (9am to 5pm PST).