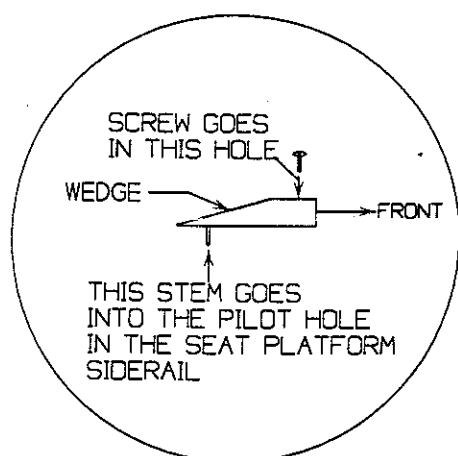


## SEAT LOCKING WEDGE ASSEMBLY INSTRUCTIONS

LIST OF MATERIALS			
ITEM	DESCRIPTION	# REQ.	COMMENTS
1A	SEAT LOCKING WEDGE	2	FASTEN TO THE SEAT PLATFORM AS SHOWN
1B	#8x1" SCREW	2	USED TO FASTEN THE SEAT LOCKING WEDGES IN PLACE
2A	LARGE NYLON BUSHING	4	INSTALL INTO THE SIDERAILS OF BACKPLAT AS SHOWN
2B	ROLLER DOWEL INSERT	4	SLIDE INTO BUSHINGS. LATER THESE CONNECT TO ARMS

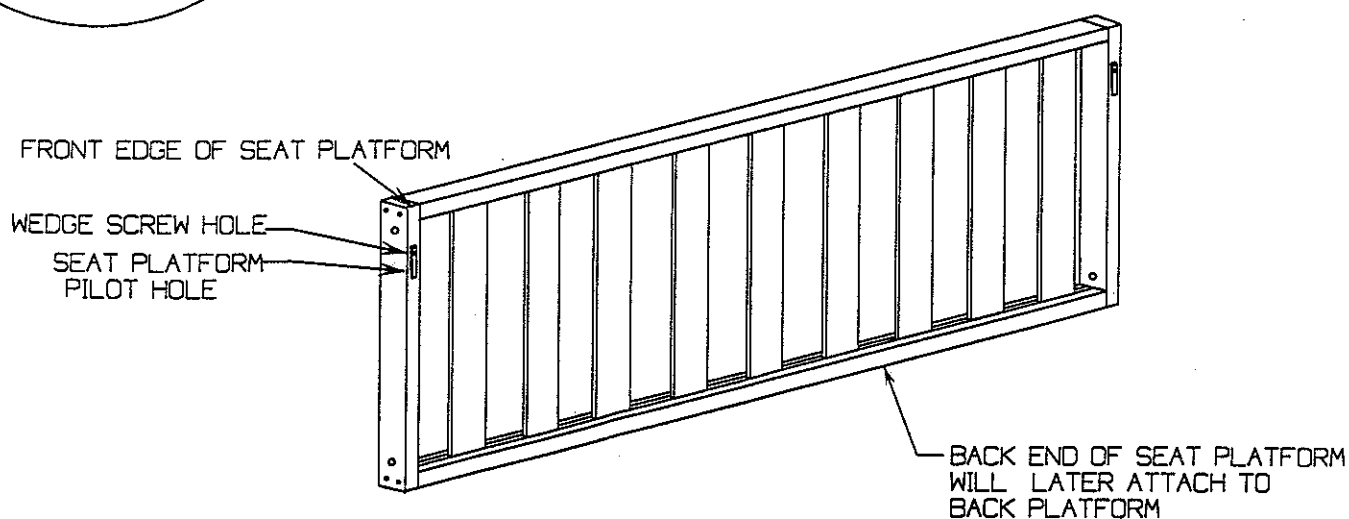
LIST OF TOOLS REQUIRED			
ITEM	DESCRIPTION	# REQ.	COMMENTS
1.	SCREW DRIVER	1	PHILLIPS OR ROBERTSON; USE TO INSTALL WEDGE SCREWS
2.	HAMMER	1	USE TO TAP BUSHINGS INTO PLACE



STEP 1:  
WHEN FASTENING THE SEAT LOCKING WEDGES  
MAKE SURE THAT THE WEDGES ARE  
IN THE CORRECT PLACE ON THE SEAT  
PLATFORM AS SHOWN

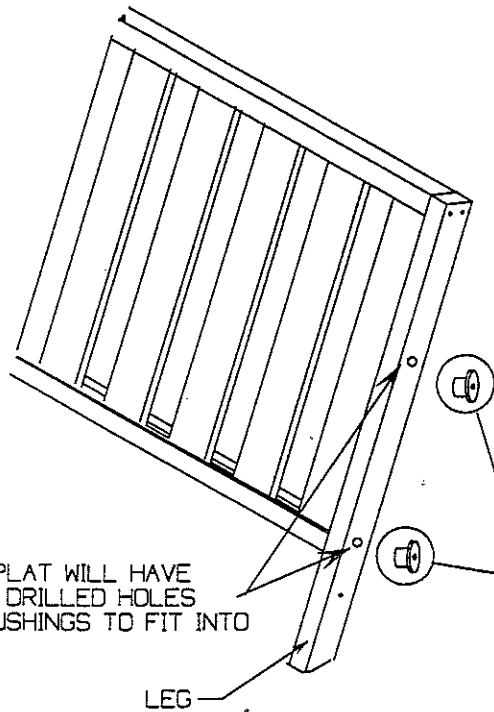
BE SURE TO USE THE PILOT HOLES

BE SURE TO MOUNT THE WEDGES STRAIGHT  
WITH THE SQUARE END FACING TO THE FRONT



ATTACH BOTH WEDGES TO THE SEAT PLATFORM WITH THE SCREWS PROVIDED  
THE SQUARE END OF THE WEDGE WILL BE FACING THE FRONT EDGE OF THE PLATFORM

# ROLLER DOWEL AND BUSHING ASSEMBLY INSTRUCTIONS



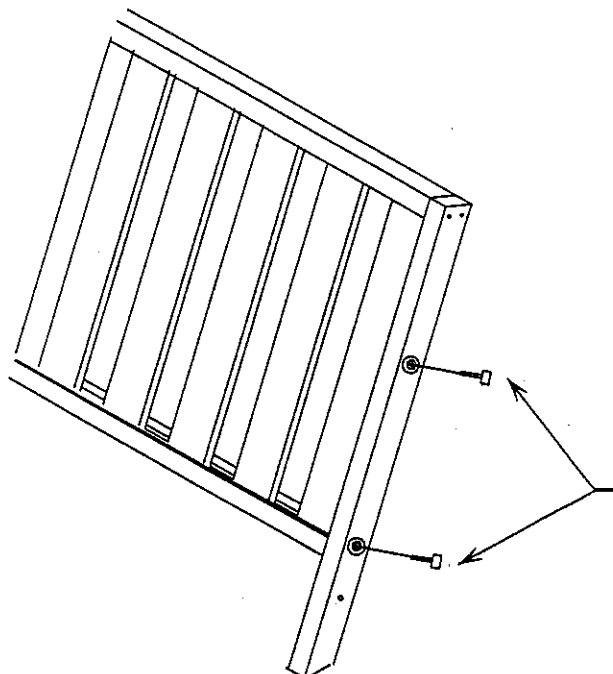
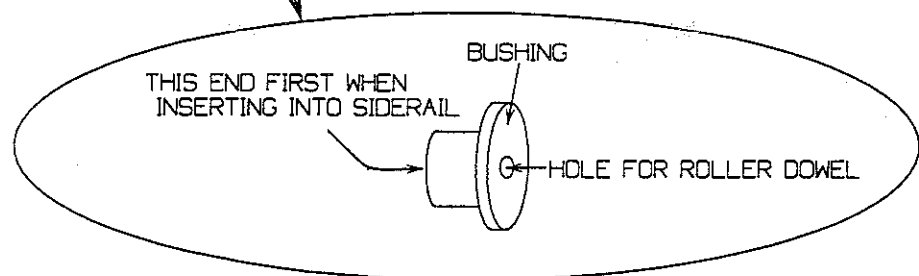
THE BACK PLAT WILL HAVE  
LARGE PRE DRILLED HOLES  
FOR THE BUSHINGS TO FIT INTO

LEG

## STEP 2:

TAKE TWO BUSHINGS AND  
TAP LIGHTLY WITH A HAMMER  
UNTIL THE BUSHINGS ARE SEATED  
FLUSH WITH THE SIDE OF THE  
BACK PLATFORM (THE PLAT WITH LEGS)

REPEAT FOR OTHER END OF  
BACK PLATFORM



## STEP 3:

ONCE BUSHINGS ARE INSTALLED,  
THE DOWEL INSERTS ARE READY TO BE  
PUT INTO PLACE.

THESE SIMPLY SLIDE INTO THE HOLES  
IN THE BUSHINGS.

ROLLER DOWEL INSERTS  
(PLACE INTO BUSHINGS)

## STEP 4:

NOW PROCEED WITH THE INSTRUCTIONS  
SUPPLIED WITH THE ARM ASSEMBLIES.