

| LIST OF MATERIALS | | | |
|-------------------|-----------------------|-------|--|
| ITEM | DESCRIPTION | # REQ | COMMENTS |
| 1. | 4mm ALLEN KEY | 2 | 1 SPARE |
| 2. | 3/8" x 2" WOOD DOWELS | 20 | |
| 3. | 70mm WOOD SCREW | 16 | |
| 4. | HEAD END | 1 | |
| 5. | FOOT END | 1 | |
| 6. | RAILS | 2 | |
| 7. | SLAT | 11 | 1 WITH SMALLER END HOLES - CENTER SLAT |
| 8. | MIDRAIL | 1 | |
| 9. | MIDRAIL SUPPORT | 1 | FASTEN UNDERNEATH MIDRAIL |

HELPFUL HINT: APPLY A SMALL AMOUNT OF BAR SOAP TO THE LAG SCREW THREADS TO HELP EASE ASSEMBLY

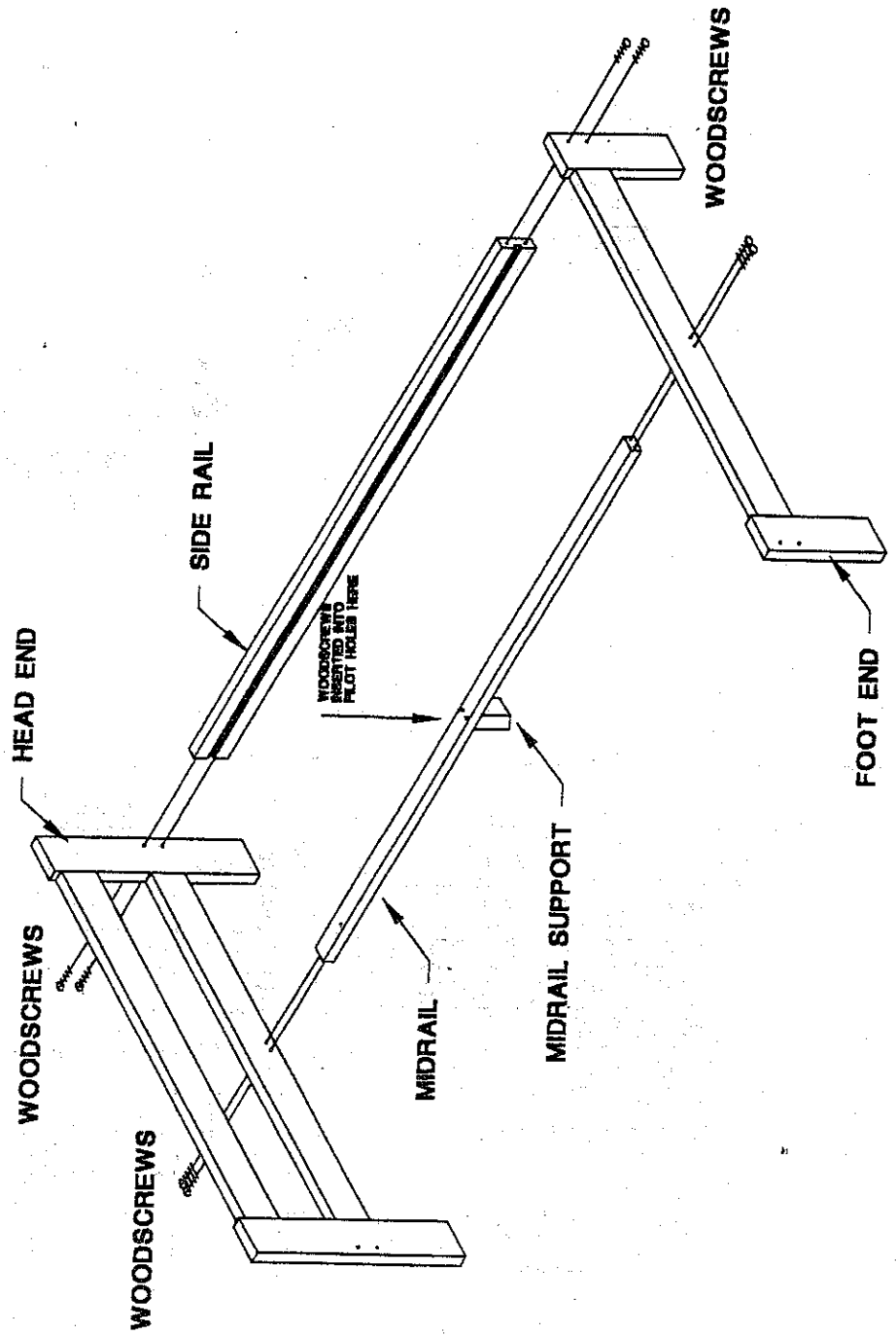
NOTE: AFTER FINAL ASSEMBLY RETIGHTEN ALL SCREWS FIRMLY TO ENSURE PROPER FUNCTION OF UNIT

SHIMA BED - ASSEMBLY INSTRUCTIONS

STEP 1a: FASTEN SIDERAIL TO HEAD AND FOOT ENDS USING 4 WOODSCREWS

STEP 1b: FASTEN MIDRAIL TO HEAD AND FOOT ENDS USING 4 WOODSCREWS

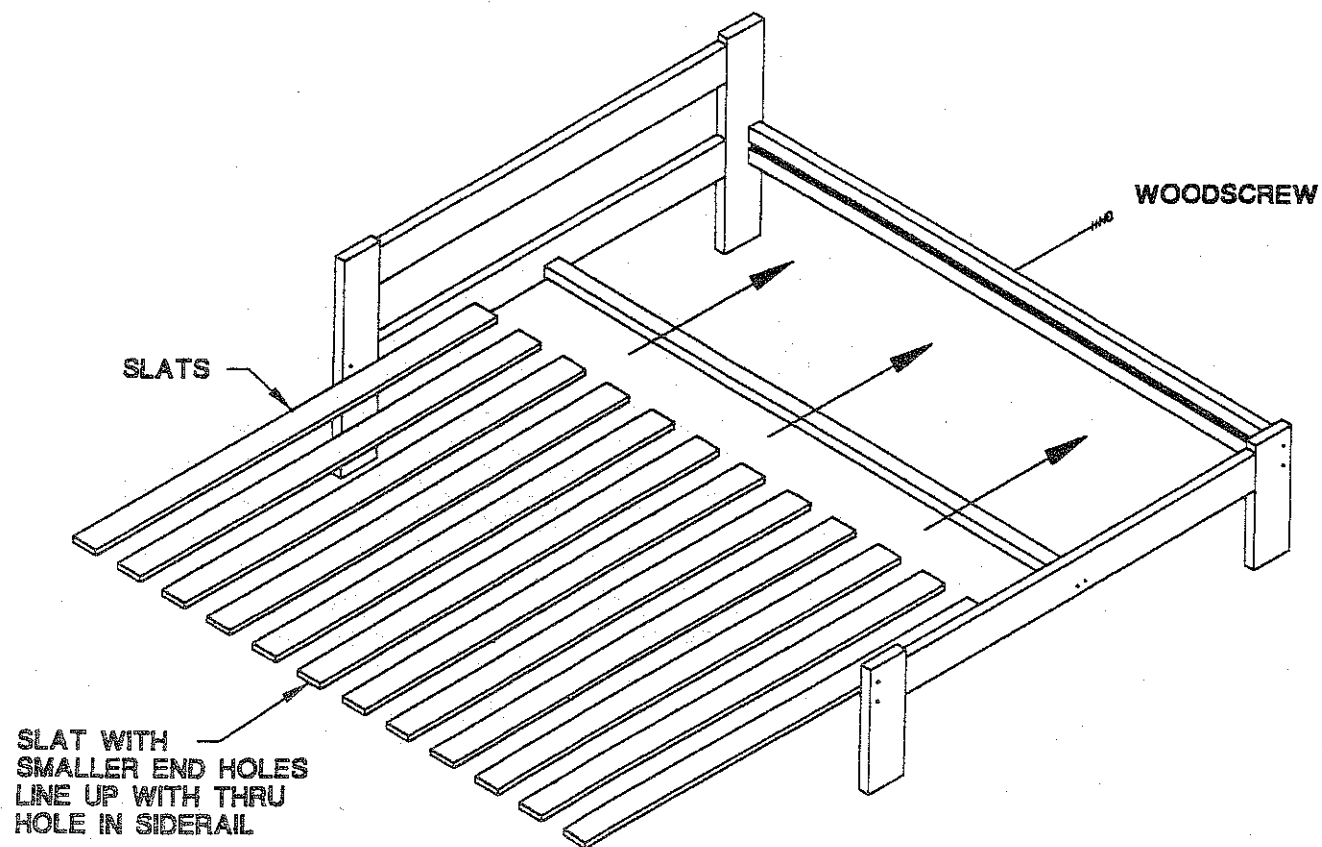
STEP 1c: FASTEN MIDRAIL SUPPORT TO BOTTOM SIDE OF MIDRAIL USING 2 WOODSCREWS



STEP 2a: HAMMER WOOD DOWELS INTO ENDS OF SLATS (EXCEPT ONE WITH SMALLER END HOLES)

STEP 2b: INSERT DOWELS INTO DOWEL HOLES IN GROOVE OF RAIL

NOTE: ONE SLAT HAS A SMALLER PILOT HOLE AND MUST BE FASTENED TO SIDERAIL WITH A WOODSCREW



STEP 3: FASTEN REMAINING RAIL USING 4
WOODSCREWS

NOTE: BE SURE THRU HOLES ON BOTH
SIDERAILS ARE USED TO FASTEN CENTER SLAT

HELPFUL HINT: FASTEN ONLY ONE END AND
WORK ALONG RAIL FITTING DOWELS INTO
DOWEL HOLES IN GROOVE. FASTEN REMAINING
END WHEN LAST DOWEL IS FITTED INTO DOWEL
HOLE

NOTE: MAKE SURE SLAT INLINE WITH THRU
HOLE IS FASTENED ON BOTH ENDS TO SIDERAILS
TO PREVENT POSSIBLE DISLOCATION OF SLATS

