

Epoch Design, LLC

Seneca Twin Over Full Bunkbed • Model # 5162

Congratulations on the purchase of your Seneca Twin Over Full Bed. This bed has been crafted to the highest standards of quality and safety and will give you many years of enjoyment and practical use. Your Solid Hardwood Twin Over Full Bed can be separated into two individual beds when the need arises for separate sleeping configurations.

Since this bed is a natural wood product there will be variations in color and grain, and minor checking may occur. This is normal and does not compromise the integrity of your bed. In fact, variation in character of solid hardwood is integral to the beauty and appeal of hardwood furniture, and distinguishes it from prefabricated, synthetic and composite materials.

Several basic safety considerations must be adhered to when using this bunk bed.

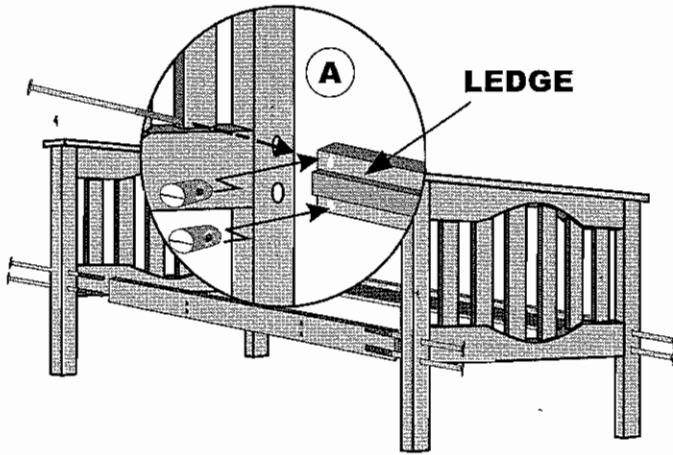
TO HELP PREVENT serious or fatal injury from entrapment or falls:

- Never allow children less than 6 years of age on the upper bed.
- Always use the recommended size mattress or mattress support [standard twin 38" x 74" (96.5cm x 188 cm), on upper bed, and 54" x 74" (137.2cm x 188 cm) on lower bed] to help prevent the likelihood of entrapment or falls.
- Ensure thickness of mattress does not exceed 9 inches (22.9cm) for the upper bed.
- Mattress must be at least 5 inches (12.7cm) below upper edge of guardrails.
- Always use guardrails on both sides of the bed.
- Do not allow horseplay on or under the bed and prohibit jumping on the bed.
- Prohibit more than one person on the upper bed.
- Always use the ladder for entering and leaving the upper bed.
- If the loft will be placed next to a wall, the guardrail that runs the full length of the bed should be placed against the wall to prevent entrapment between the bed and the wall.
- Follow the information on the warning labels appearing on the bed end structure and on the carton.
- **Do not remove warning label from bed.**
- Periodically check and ensure that the guardrail, ladder and other components are in their proper position, free from damage and that all connectors are tight.
- Never use substitute parts. Contact the manufacturer or dealer for replacement parts.
- The use of a water or sleep flotation mattress is prohibited.
- Keep these instructions for future reference.
- Use of a night-light may provide added safety precaution for a child using this bed.
- **STRANGULATION HAZARD** - Never attach or hang items to any parts of the bunk bed that are not designed for use with the bed: for example, but not limited to, hooks, belts, and jump ropes.

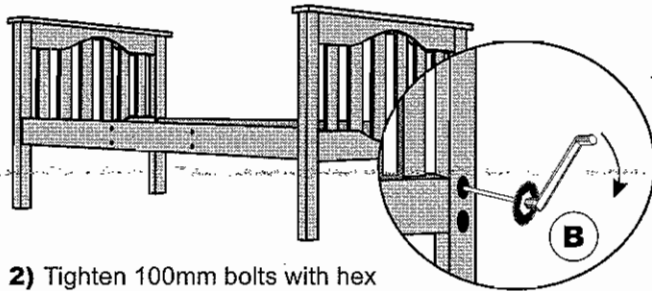
On this insert you will find a list of the hardware and loft bed parts necessary for assembly, as well as detailed instructions. Assembly is quite simple and requires only a flat head screwdriver and a Philips head screwdriver. The use of a power drill with the clutch set on the lower torque settings, and a Philips head attachment is helpful but not necessary. Assembly will most easily be accomplished if you take the time to carefully sort the hardware and familiarize yourself with the function of each piece.

If you should require assistance with assembly, part replacement or any other matter, contact the toll-free Epoch Design Service Center from anywhere in the Continental United States, Monday through Friday, 9AM-5PM Pacific Standard Time at (800) 589-7990. You may also fax your request or comments to (425) 284-0885 and a service representative will respond.

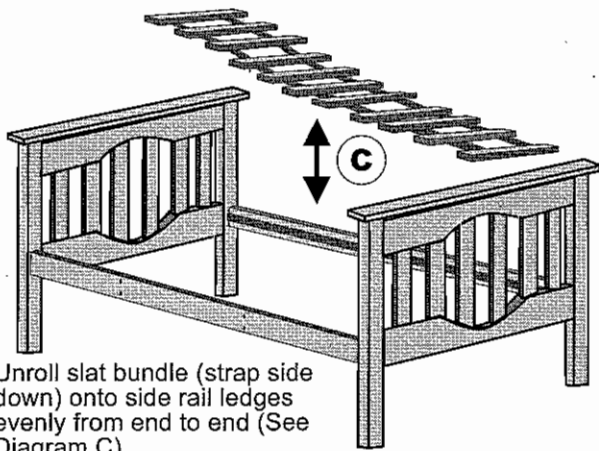
Thank you and Enjoy



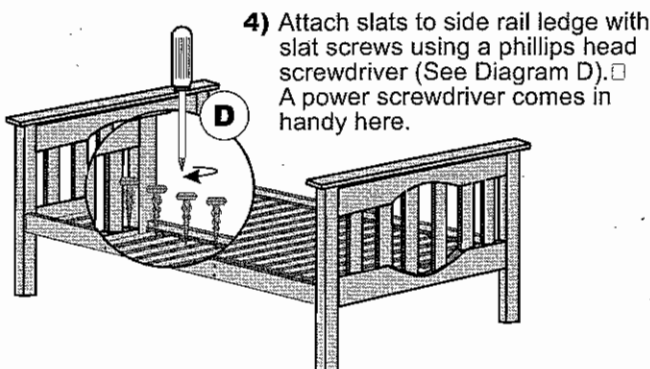
1) To assemble upper bed, attach short end boards to upper bed side rails. The side rails used on upper bed have pre-drilled holes for safety rail attachment. Insert barrel nuts into side rails. Insert 100mm bolts through end boards and into barrel nuts (See Diagram A).



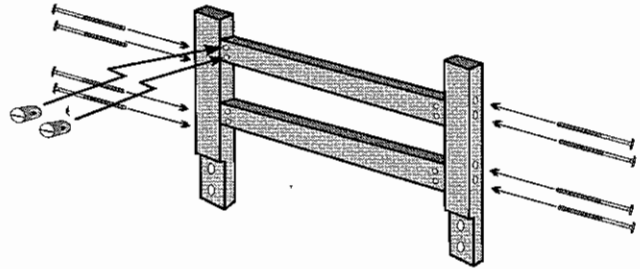
2) Tighten 100mm bolts with hex key provided (See Diagram B).



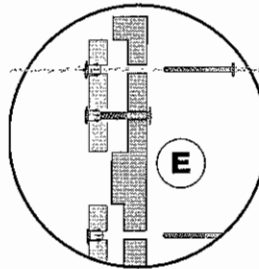
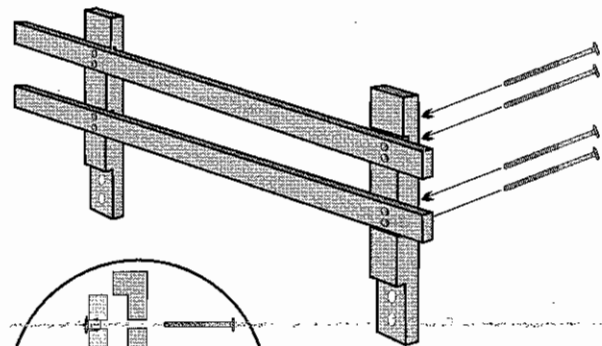
3) Unroll slat bundle (strap side down) onto side rail ledges evenly from end to end (See Diagram C).



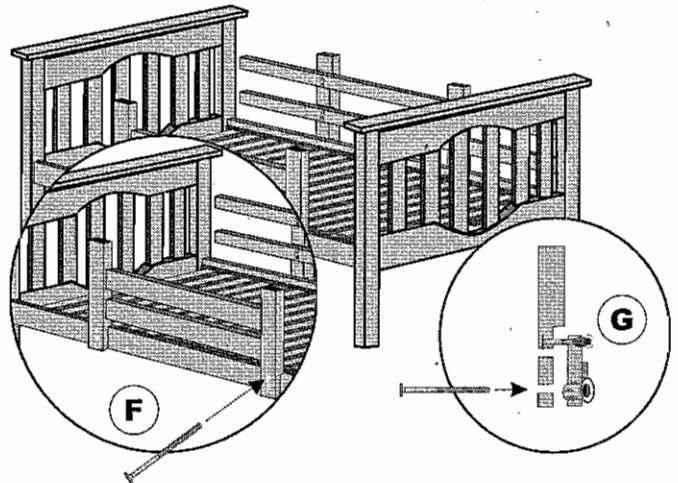
4) Attach slats to side rail ledge with slat screws using a phillips head screwdriver (See Diagram D). □ A power screwdriver comes in handy here.



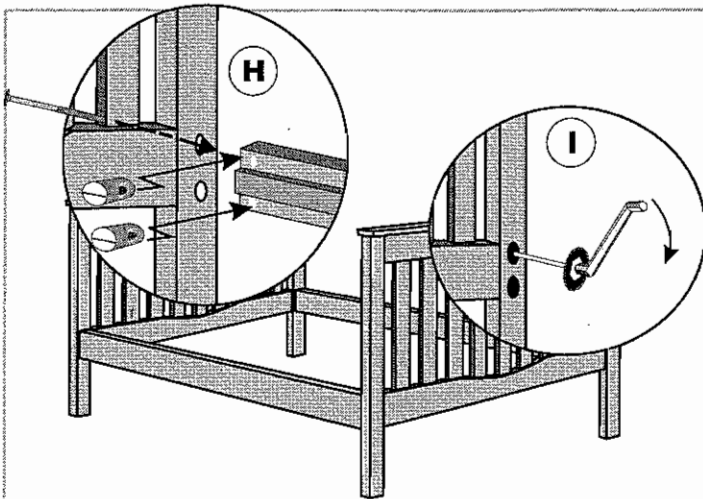
5) Attach the two short safety rails to the unassembled upright supports using eight 110mm bolts and eight barrel nuts. Tighten with hex key.



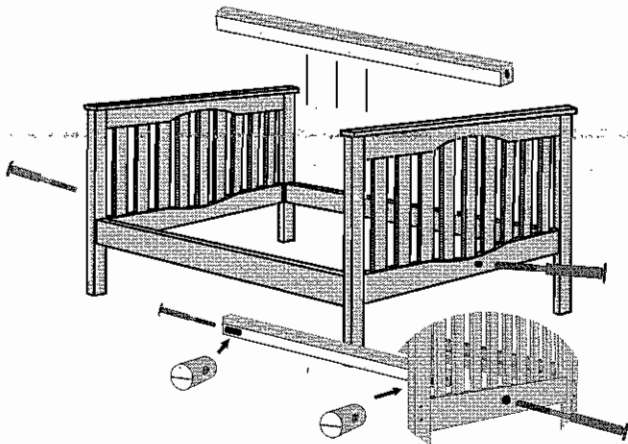
6) Attach the two long safety rails to the unassembled upright supports by inserting eight 50mm bolts through the uprights into the pre-installed propel nuts. Tighten with hex key (See Diagram E).



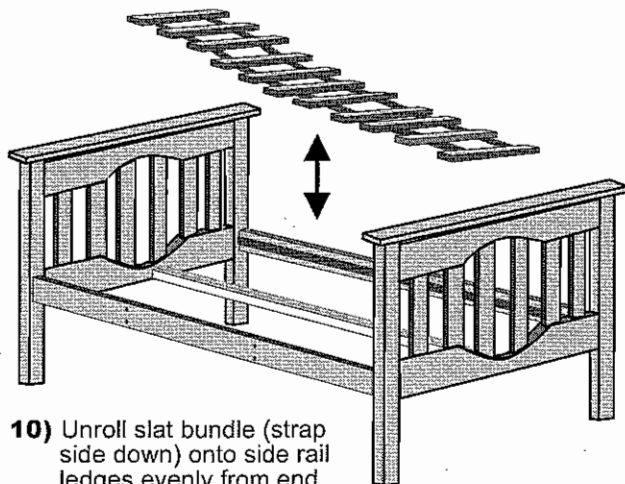
7) Attach the long and short safety rails to the side rails of the upper bed using eight 50mm bolts. The propel nuts are pre-installed into the bed rails (See Diagram F & G). The longer rail will be on the side of the upper bed which is opposite the ladder. The short side rail will be used on the



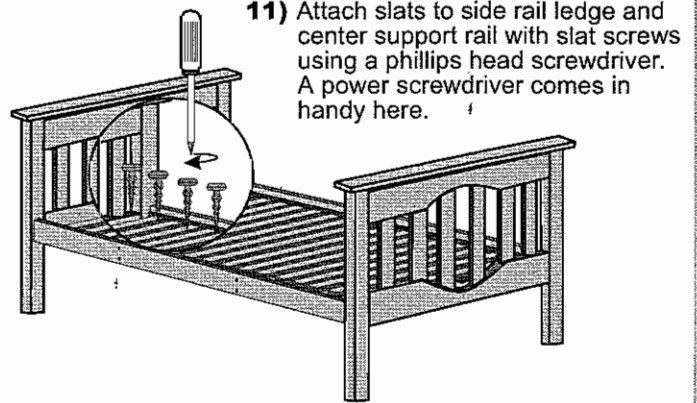
8) To assemble bottom bed, repeat procedure used for upper bed using bigger end boards. (See Diagram H). Tighten 100mm bolts to barrel nuts with hex key (See Diagram I). Leave the bolts slightly loose and tighten them after next step.



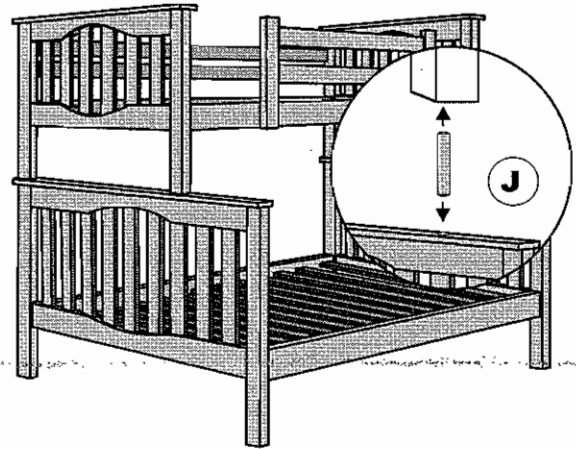
9) To install the center support, insert 80mm bolts through the end boards into the barrel nuts in the center support. Tighten the two 80mm bolts and the other bolts from the previous step with hex key provided. (Woodside up)



10) Unroll slat bundle (strap side down) onto side rail ledges evenly from end to end.

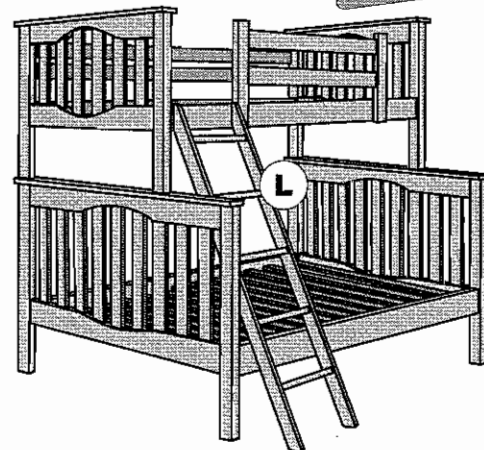
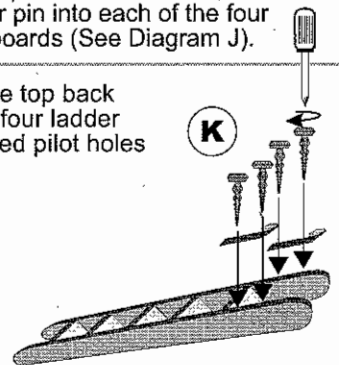


11) Attach slats to side rail ledge and center support rail with slat screws using a phillips head screwdriver. A power screwdriver comes in handy here.



12) Place the upper bunk on top of the lower bunk, inserting a bunk connector pin into each of the four holes on the bottom end boards (See Diagram J).

13) Attach ladder hooks to the top back sides of ladder using the four ladder hook screws into pre-drilled pilot holes (See Diagram K).





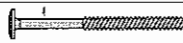




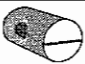


13) Attach ladder to side rail of upper bunk (See Diagram L).
 Now use the hex key to retighten all bolts so that bunk bed assembly is rigid. It will be necessary to occasionally retighten all of the bunk hardware.

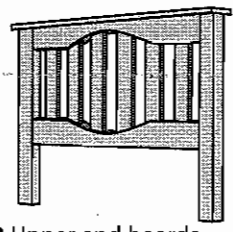


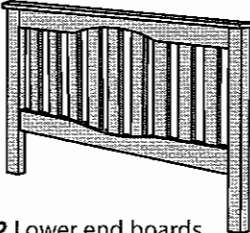


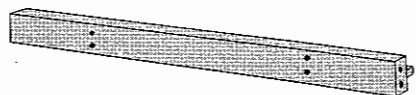

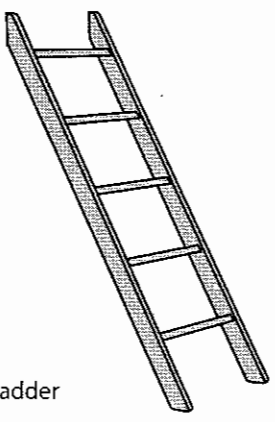
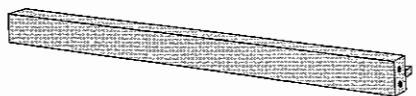


Have a question??.. need a part ASAP?? .. 1-800-589-7990

**Seneca Twin Over Full Bunkbed
Model : 5162**

HARDWARE LIST

16	100mm bolts Used to connect headboards and footboards to side rails		4	Upper/lower bunk connector pins Used to connect upper & lower headboards	
8	110mm bolts Used to connect short safety rails to short safety rail uprights		2	Ladder hook Used to attach ladder to upper bed rail	
16	50mm bolts Used to assemble long safety rail and to connect safety rails to side rails		4	Ladder hook screws Used to attach ladder hooks to ladder	
2	80mm bolts Used to secure center support		1	Hex key Tool used to tighten bolt hardware	
80	1 inch wood screws Used to secure slat rails				
26	Barrel nuts Used to secure bolts				

LOFT BED PARTS

 2 Upper end boards	 1 Center support	 1 Slat bundle which rests on lower side rails, strap side down
 2 Lower end boards	 2 Long safety rails for attachment to upright supports on wall side of loft	 1 Slat bundle which rests on upper side rails, strap side down
 2 Side rail which connects the upper end boards	 2 Upright supports for attachment to long safety rails	 1 Ladder
 2 Side rail which connects the lower end boards	 2 Upright supports for attachment to short safety rails	
	 2 Short safety rails for attachment to upright supports on ladder side of loft	

Have a question? Need a part ASAP? Please call 1-800-589-7990 (9am to 5pm PST).